

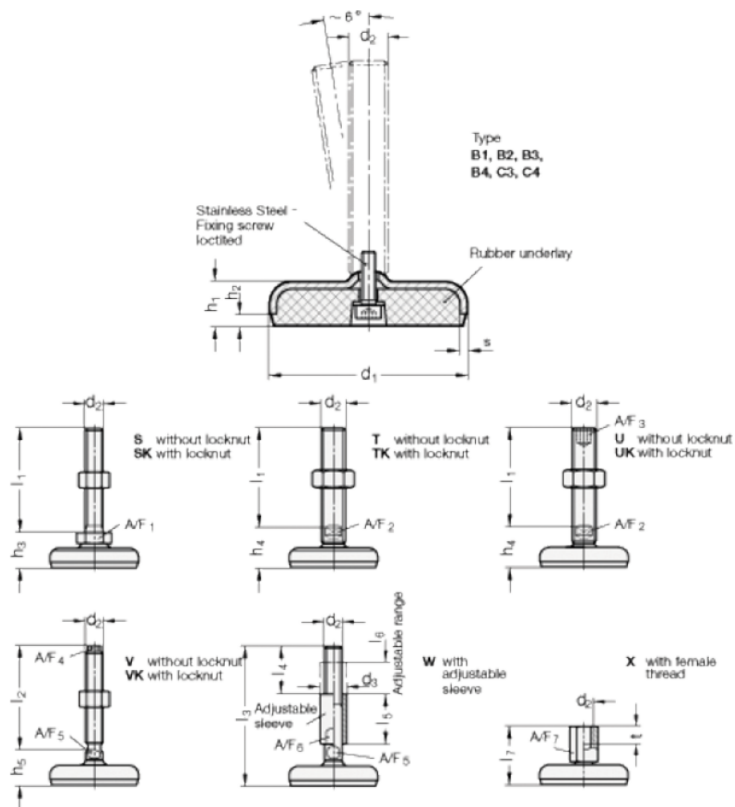
Article number: 203160M1041B1X

Description: E+G levelling foot

GN 31-60-M10-41-B1-X

Note: X With female thread, External hexagon

Measures



A/F7	=	14
d1	=	60
d2	=	10
h1	=	16
h2	=	4
l7 +4.0/0	=	41
s	=	3
t	=	10